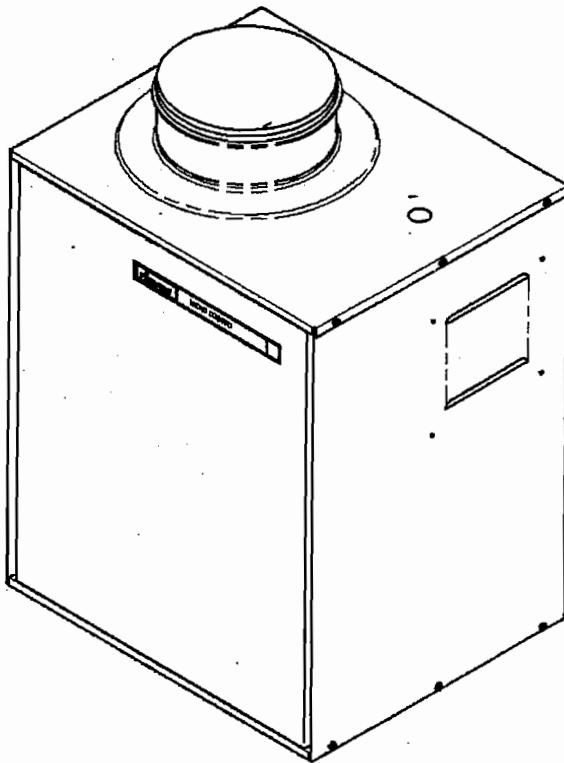


Amana

A **Raytheon** Company



ERGW

(OUTDOOR UNIT)

PARTS CATALOG

AMANA REFRIGERATION, INC., AMANA, IOWA 52204

**MANUFACTURING NUMBERS
COVERED IN THIS MANUAL**

ERGW0015-1A	P6819104F
ERGW0012-1A	P6819105F
ERGW0012-1A	P6819106F
ERGW0015-1A	P6819107F
ERGW0012-1B	P1125401F
ERGW00151B	P1125402F

INDEX

FUNCTIONAL PARTS LIST	3 - 4
ILLUSTRATIONS AND PARTS LISTS	6 - 15

REV. 1 - CORRECTED PAGES IN MANUAL AND ADDED P6819105F.

REV. 2 - ADDED MODEL NUMBERS P6819106F, P6819107F.

REV. 3 - ADDED MODELS ERGW00121B, P1125401F AND ERGW00151B, P1125402F. ADDED PAGE AND RENUMBERD PAGES.

*NEW PARTS USED
AR - AS REQUIRED
NS - NOT SHOWN

FUNCTIONAL PARTS LIST

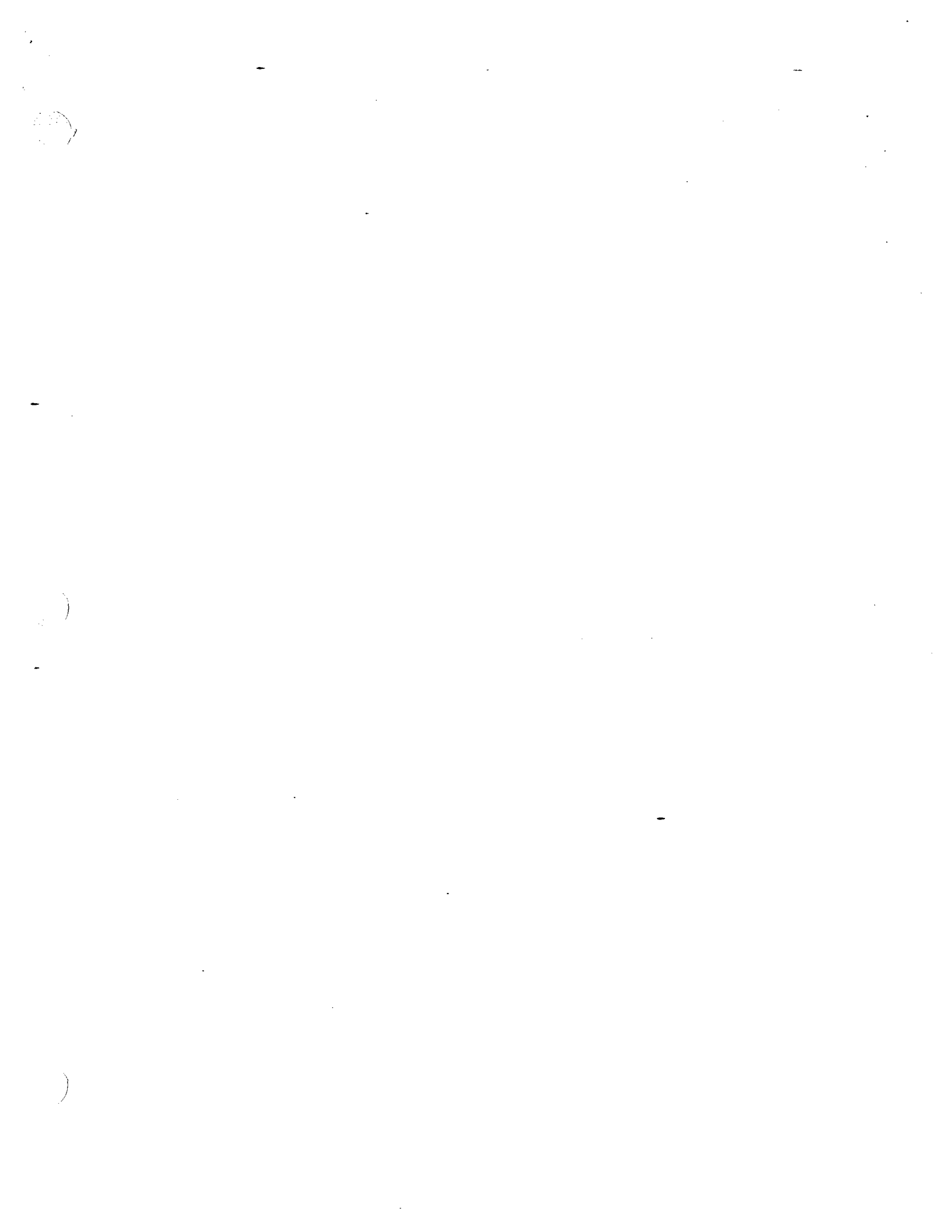
ERGW0012-1A P6819105F
ERGW0015-1A P6819104F

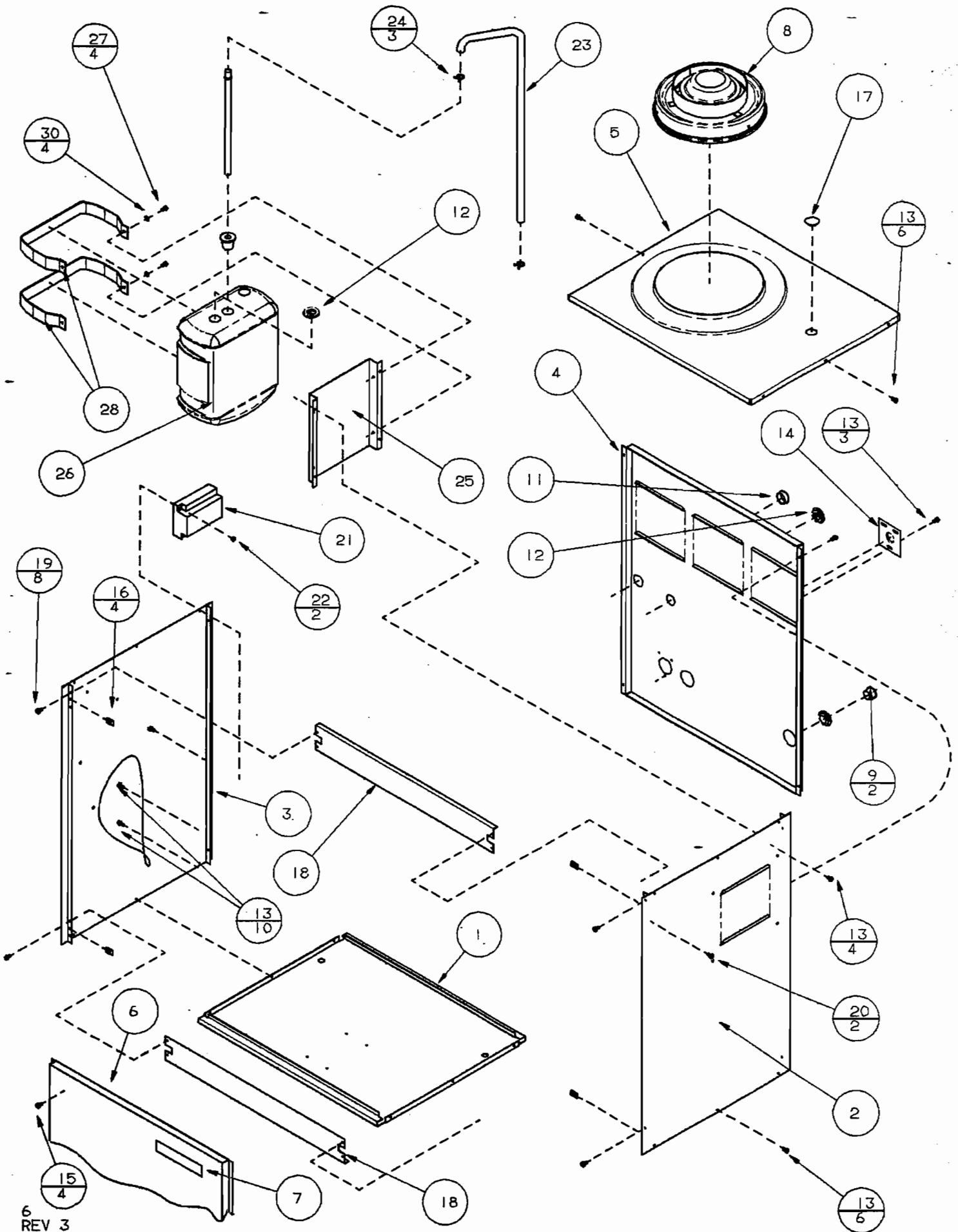
PART NUMBER	DESCRIPTION		
B1371901	Hose, Suction, Inlet Pipe to Tee	1	1
B1328802	Hose, Module Outlet	1	1
B1372001	Hose, Suction, Pump to Tee	1	1
B1328402	Hose, Pump Discharge	1	1
C6293801	Hose, Tee to Exp. Tank	1	1
B1170903	Limit Control, Min. Diff. 30°F., Max. Diff. 100°F., Cut-Out Temp. 226°F. + 5°, -15°	1	1
B1215202	Limit Control, Secondary, Manual Reset, Opening Temperature, 220 -5°F., 24 V.A.C., 30 VA, Max. Load	1	1
C6368602	Wiring Harness, Ignition	1	1
D5480901	Tank, Expansion	1	1
D6817601	Flue Cap	1	1
D6830401	Ignition Control Module	1	1
D6918409	Plate, Orifice (80 Nat.)	-	1
D6918415	Plate, Orifice (80 L.P.)	-	1
D6918410	Plate, Orifice (100 Nat.)	-	1
D6918416	Plate, Orifice (100 L.P.)	-	1
D6918411	Plate, Orifice (120 Nat.)	-	1
D6918417	Plate, Orifice (120 L.P.)	-	1
D6918412	Plate, Orifice (130 M. Nat.)	1	-
D6918418	Plate, Orifice (130 M., L.P.)	1	-
D6918413	Plate, Orifice (150 M. Nat.)	1	-
D6918419	Plate, Orifice (150 M. L.P.)	1	-
C6275309	Heat Transfer Module	1	-
C6275305	Heat Transfer Module	-	1
A3422401	Gasket, Ignitor	1	1
B1173601	Burner	-	1
B1173602	Burner	1	-
C6285904	Top, Transition Tube	1	1
B1336101	Ignitor	1	1
A3435301	Gasket, Burner	1	1
B1172702	Relay, SPDT - FLA 8, 240 V.A.C., Coil	1	1
C6434701	Terminal Board	1	1
D6789004	Capacitor, 15.0 MFD, 370 V., 60 HZ	1	1
A3372101	Gasket, Fan Scroll	1	1
A3435301	Gasket, Transition	1	1
B1179301	Gasket, Mixer	1	1
C6285805	Bottom, Transition Tube	1	1
C5991501	Base, Mixer	1	1
R0195013	Thermal Mastic	AR	AR
C5991601	Plate, Mixer	1	1
C6253002	Gas Valve, Redundant, 3/4" NPT Outlet, 1/2" NPT Inlet	1	1
D6926202	Combustion Blower	1	1
D6826903	Pump/Motor Assembly, 1/5 H.P., 3325 RPM, 115 VAC, 60 HZ, 1 Phase	1	1
A3414404	Manual, Installation	1	1
A3421304	Manual, Homeowner	1	1

FUNCTIONAL PARTS LIST

ERGW00151B P1125402F
 ERGW00121B P1125401F
 ERGW00151A P6819107F
 ERGW00121A P6819106F

PART NUMBER	DESCRIPTION				
B1371901	Hose, Suction, Inlet Pipe to Tee	1	1	1	1
B1328802	Hose, Module Outlet	1	1	1	1
B1372001	Hose, Suction, Pump to Tee	1	1	1	1
B1328402	Hose, Pump Discharge	1	1	1	1
C6293801	Hose, Tee to Exp. Tank	1	1	1	1
B1170903	Limit Control, Min. Diff. 30°F., Max. Diff. 100°F., Cut-Out Temp. 226°F. + 5°, -15°	1	1	1	1
B1215202	Limit Control, Secondary, Manual Reset, Opening Temperature 220° -5°F., 24 V.A.C., 30 VA, Max. Load	1	1	1	1
C6368602	Wiring Harness, Ignition	1	1	-	-
10287501	Wiring Harness, Ignition	-	-	1	1
D5480901	Tank, Expansion	1	1	1	1
D6817601	Flue Cap	1	1	1	1
D6830401	Ignition Control Module	1	1	-	-
*10228901	Ignition Control Module	-	-	1	1
D6918415	Plate, Orifice (80 L.P.)	1	-	1	-
D6918409	Plate, Orifice (80 Nat.)	1	-	1	-
D6918410	Plate, Orifice (100 Nat.)	1	-	1	-
D6918416	Plate, Orifice (100 L.P.)	1	-	1	-
D6918411	Plate, Orifice (120 Nat.)	1	-	1	-
D6918417	Plate, Orifice (120 L.P.)	1	-	1	-
D6918412	Plate, Orifice (130 M. Nat.)	-	1	-	1
D6918418	Plate, Orifice (130 M. L.P.)	-	1	-	1
D6918413	Plate, Orifice (150 M. Nat.)	-	1	-	1
D6918419	Plate, Orifice (150 M. L.P.)	-	1	-	1
*C6275324	Heat Transfer Module	1	-	1	-
*C6275323	Heat Transfer Module	-	1	-	1
A3464101	Gasket, Ignitor	1	1	1	1
C6401501	Burner	1	-	1	-
C6401502	Burner	-	1	-	1
C6402212	Top, Transition Tube	1	1	1	1
B1336102	Ignitor	1	1	1	1
A3463901	Gasket, Burner	1	1	1	1
B1172702	Relay, SPDT - FLA 8, 240 V.A.C., Coil	1	1	1	1
C6434701	Terminal Board	1	1	1	1
D6789004	Capacitor, 15.0 MFD, 370 V., 60 HZ	1	1	1	1
C6431501	Gasket, Scroll	1	1	1	1
A3463901	Gasket, Transition	1	1	1	1
B1179301	Gasket, Mixer	1	1	1	1
C6285816	Bottom, Transition Tube	1	1	1	1
C5991501	Base, Mixer	1	1	1	1
R0195013	Thermal Mastic	AR	AR	AR	AR
C5991601	Plate, Mixer	1	1	1	1
C6376501	Valve, Gas Redundant, 3/4" NPT Outlet, 1/2" NPT Inlet	1	1	-	-
10287601	Valve, Gas Redundant, 3/4" NPT Outlet, 1/2" NPT Inlet	-	-	1	1
D6926210	Combustion Blower	1	1	1	1
D6826909	Pump/Motor Assembly, 1/5 H.P., 3325 RPM, 115 VAC, 60 HZ 1 Phase	1	1	1	1
A3414404	Manual, Installation	-	1	-	-
A3414405	Manual, Installation	1	-	-	-
*A3414411	Manual, Installation	-	-	1	1
A3421304	Manual, Homeowner	-	1	-	-
A3421303	Manual, Homeowner	1	-	-	-
*A3481603	Manual, Homeowner	-	-	1	1

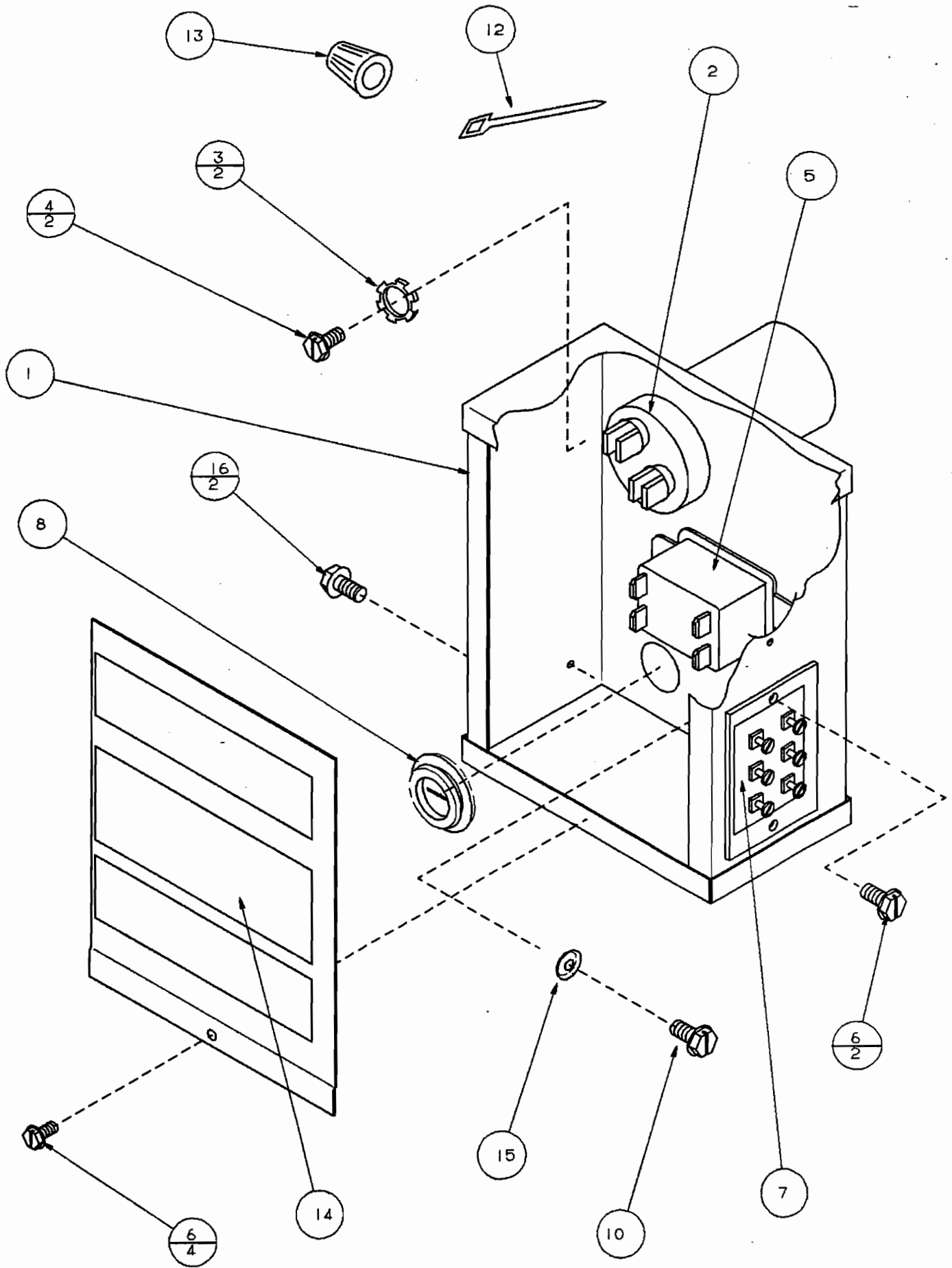




6
REV 3

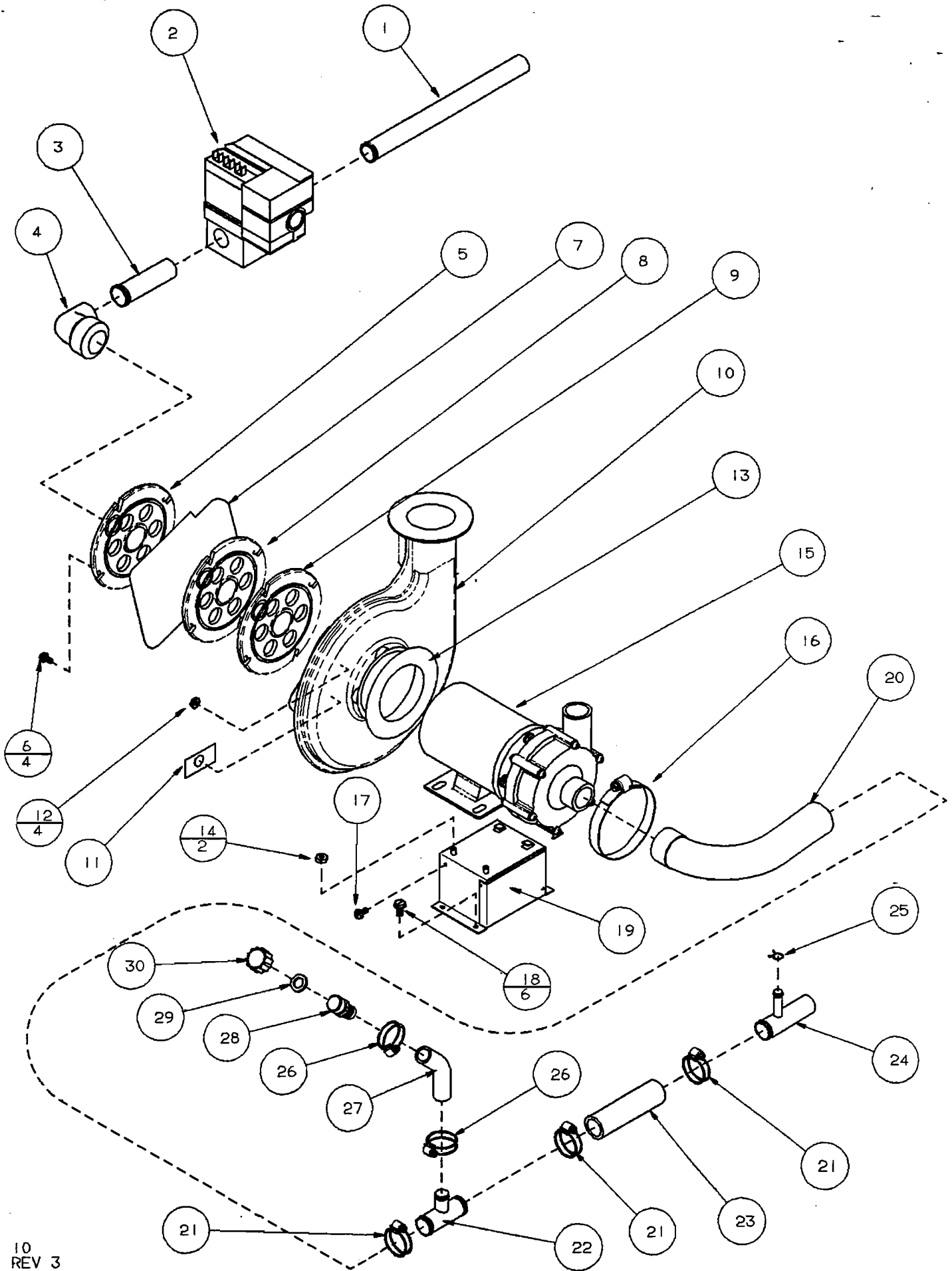
PARTS LIST

REF. NO.	PART NUMBER	DESCRIPTION	<div style="display: flex; justify-content: space-between; font-size: small;"> ERGW00151B P1125402F ERGW00121B P1125401F ERGW00151A P6819107F ERGW00121A P6819106F ERGW00121A P6819105F ERGW00151A P6819104F </div>					
			1	1	1	1	1	1
1	C6274802	Cabinet, Bottom	1	1	1	1	1	1
2	D6892402	Panel, Right Side	1	1	1	1	1	1
3	D6892502	Panel, Left Side	1	1	1	1	-	-
*3	10287702	Panel, Left Side	-	-	-	-	1	1
4	D6823202	Panel, Rear	1	1	1	1	1	1
5	D6823102	Cabinet, Top	1	1	1	1	1	1
6	D6822702	Cabinet Door	1	1	1	1	1	1
7	B1314702	Nameplate, Amana	1	1	1	1	1	1
8	D6817601	Flue Cap	1	1	1	1	1	1
9	M0500109	Grommet	2	2	2	2	2	2
11	A4554802	Snap Bushing	1	1	1	1	1	1
12	A3326801	Grommet	2	2	2	2	2	2
13	M0213203	Screw, #8-18 x 3/8"	29	29	29	29	29	29
14	A3421202	Plate, Cover	1	1	1	1	1	1
15	M0216721	Screw, #8-18 x 1"	4	4	4	4	4	4
16	M0287211	Nut, Speed	4	4	4	4	4	4
17	M0310313	Plug Button	1	1	1	1	1	1
18	C6328002	Support, Brace	2	2	2	2	2	2
19	M0210217	Screw	8	8	8	8	8	8
20	M0202535	Screw, #8-32 x 1"	2	2	2	2	2	2
21	D6830401	Ignition Control Module	1	1	1	1	-	-
*21	10228901	Ignition Control Module	-	-	-	-	1	1
22	M0282007	Nut, Keps	2	2	2	2	2	2
23	C6293801	Tube, Expansion Tank to Tee	1	1	1	1	1	1
24	M0103005	Clamp, Hose	3	3	3	3	3	3
25	B1187202	Spacer, Tank	1	1	1	1	1	1
26	F659-0-2	Tank, Expansion	1	1	-	-	-	-
26	D6974201	Tank, Expansion	-	-	1	1	1	1
27	M0211021	Screw, #8-18 x 1"	4	4	4	4	4	4
28	A3335502	Strap, Tank Mounting	2	2	2	2	2	2
30	M0270505	Washer	4	4	4	4	4	4



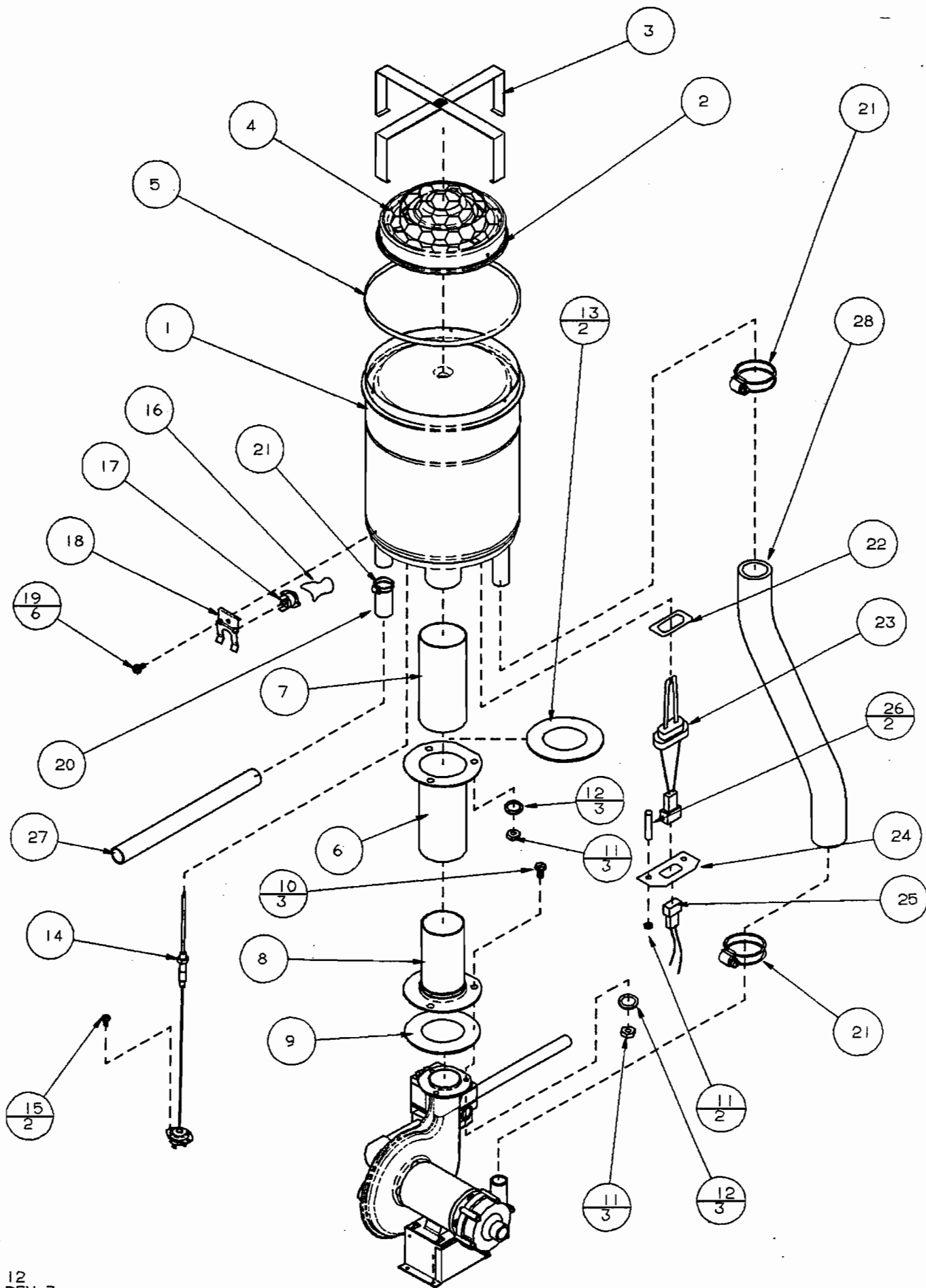
PARTS LIST

REF. NO.	PART NUMBER	DESCRIPTION	ERGW00151B P1125402F ERGW00121B P1125401F ERGW00151A P6819107F ERGW00121A P6819106F ERGW00121A P6819105F ERGW00151A P6819104F					
*1	D6823704	Control Box	1	1	1	1	1	1
2	D6789004	Capacitor, 15.0 MFD, 370 V., 60 HZ	1	1	1	1	1	1
3	M0272808	Washer, Lock	2	2	2	2	2	2
4	M0216531	Screw, #8-18 x 5/8"	2	2	2	2	2	2
5	B1172702	Relay, Pump	1	1	1	1	1	1
6	M0216529	Screw, #8-18 x 3/8"	6	6	6	6	6	6
*7	C6434701	Terminal Board	1	1	1	1	1	1
8	A4554802	Snap Bushing	1	1	1	1	1	1
10	M0227804	Screw, #10-24 x 1/2"	1	1	1	1	1	1
12	M0321204	Tie, Electrical	1	1	1	1	1	1
13	A4617504	Wire Nut	1	1	1	1	1	1
14	B1328902	Cover Control Box	1	1	1	1	1	1
15	M0270001	Washer, Cup	1	1	1	1	1	1
16	M0231903	Screw, Control Box to Side Panel	2	2	2	2	2	2



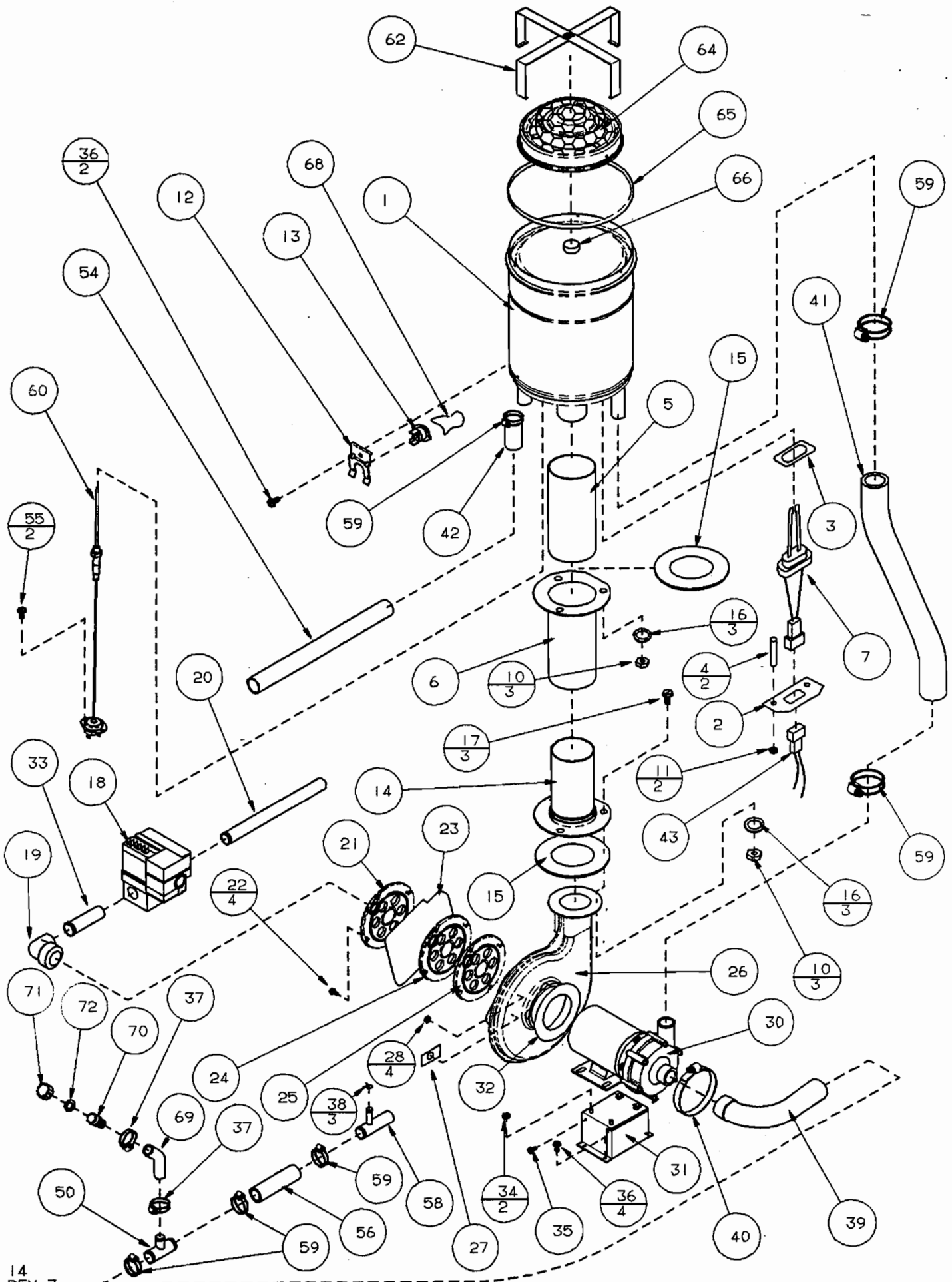
PARTS LIST

REF. NO.	PART NUMBER	DESCRIPTION	ERGW00151B P1125402F			
			1	1	1	1
1	M0020002	Nipple	1	1	1	1
2	C6376501	Valve, Gas Redundant, 3/4 NPT Outlet, 1/2 NPT Inlet	1	1	-	-
2	10287601	Valve, Gas Redundant, 3/4 NPT Outlet, 1/2 NPT Inlet	-	-	1	1
3	M0020025	Nipple	1	1	1	1
4	M0020205	Elbow, 90°	1	1	1	1
5	C5991501	Base, Mixer	1	1	1	1
6	M0200304	Screw, #8-32 x 5/8"	4	4	4	4
7	D6918409	Plate, Orifice, 80 Nat.	1	-	1	-
7	D6918415	Plate, Orifice, 80 L.P.	1	-	1	-
7	D6918416	Plate, Orifice, 100 L.P.	1	-	1	-
7	D6918410	Plate, Orifice, 100 Nat.	1	-	1	-
7	D6918411	Plate, Orifice, 120 Nat.	1	-	1	-
7	D6918417	Plate, Orifice, 120 L.P.	1	-	1	-
7	D6918412	Plate, Orifice, 130 M. Nat.	-	1	-	1
7	D6918418	Plate, Orifice, 130 M. L.P.	-	1	-	1
7	D6918413	Plate, Orifice, 150 M. Nat.	-	1	-	1
7	D6918419	Plate, Orifice, 150 M. L.P.	-	1	-	1
8	C5991601	Plate, Mixer	1	1	1	1
9	B1179301	Gasket, Mixer	1	1	1	1
10	D6926210	Combustion Blower	1	1	1	1
11	M0284102	Nut - Speed	1	1	1	1
12	M0288803	Palnut	4	4	4	4
13	C6431501	Gasket, Scroll	1	1	1	1
14	M0282013	Keps Nut	2	2	2	2
15	D6826909	Pump/Motor Assembly, 1/5 H.P., 3325 RPM, 115 VAC, 60 HZ, 1 Phase	1	1	1	1
16	A3326003	Clamp, Hose	1	1	1	1
17	M0211016	Screw, #8 - 18 x 3/8"	1	1	1	1
18	M0213203	Screw, #8 - 18 x 3/8"	6	6	6	6
19	B1197302	Bracket, Pump	1	1	1	1
20	B1372001	Hose, Pump Inlet	1	1	1	1
21	M0120403	Clamp, Hose	3	3	3	3
22	B1392301	Tee, Charging	1	1	1	1
23	B1371901	Hose, Solution	1	1	1	1
24	B1331402	Tee, Expansion Tank	1	1	1	1
25	M0103005	Clamp, Hose Top of Tank	1	1	1	1
26	M0120404	Clamp, Hose	1	1	1	1
27	B1392401	Hose, Charging	1	1	1	1
*28	M0022901	Adapter, Charging Hose	1	1	1	1
29	M0274054	Seal, Washer	1	1	1	1
30	M0327001	Cap, Charging Hose	1	1	1	1



PARTS LIST

REF. NO.	PART NUMBER	DESCRIPTION	ERGW00151B P1125402F ERGW00121B P1125401F ERGW00151A P6819107F ERGW00121A P6819106F			
*1	C6275324	Heat Transfer Module	1	-	1	-
*1	C6275323	Heat Transfer Module	-	1	-	1
2	C6284402	Pad Silencer	1	1	1	1
3	C6302401	Bracket, Silencer	1	1	1	1
4	B1376001	Retainer, Seal, Silencer Pad	1	1	1	1
5	B1420701	"O" Ring, Flue Cap	1	1	1	1
6	C6402212	Top, Transition	1	1	1	1
7	C6401501	Burner	1	-	1	-
7	C6401502	Burner	-	1	-	1
8	C6285816	Tube, Bottom Transition	1	1	1	1
9	A3463901	Gasket Burner	1	1	1	1
*10	M0258044	Screw, #10 - 24 x 5/8"	3	3	3	3
11	M0282405	Nut - Hex	8	8	8	8
12	M0270505	Washer - Flat	6	6	6	6
13	A3463901	Gasket	2	2	2	2
14	B1170903	Control, Solution Limit, Cut-Out Temp 226°F. + 5°, -15°	1	1	1	1
15	M0216529	Screw, #8 - 18 x 3/8"	2	2	2	2
16	R0195013	Thermal Mastic	AR	AR	AR	AR
17	B1215202	Control, Secondary Limit, Manual Reset, Open Temp. 220°	1	1	1	1
18	B1399201	Bracket, Secondary Limit	1	1	1	1
19	M0213203	Screw, #8 - 18 x 3/8"	6	6	6	6
20	B1328802	Hose, Module Outlet	1	1	1	1
21	M0120403	Clamp, Hose	3	3	3	3
22	A3464101	Gasket Igniter	1	1	1	1
23	B1336102	Ignitor Assembly	1	1	1	1
24	B1400901	Mounting Plate	1	1	1	1
25	C6368602	Wiring Harness, Ignition Control	1	1	-	-
25	10287501	Wiring Harness, Ignition Control	-	-	1	1
26	A3441301	Spacer	2	2	2	2
27	B1331302	Tube	1	1	1	1
28	B1328402	Hose, Pump Discharge	1	1	1	1



PARTS LIST

REF. NO.	PART NUMBER	DESCRIPTION	ERG W00121A P6819105F	ERG W00151A P6819104F
1	C6275305	Heat Transfer Module	-	1
1	C6275309	Heat Transfer Module	-	-
2	A3422301	Mounting Plate	1	1
3	A3422401	Gasket, Igniter	1	1
4	A3441301	Spacer	2	2
5	B1173601	Burner	-	1
5	B1173602	Burner	1	-
6	C6285904	Top, Transition	1	1
7	B1336101	Ignitor Assembly	1	1
10	M0282009	Nut, Keps	6	6
11	M0282404	Nut, Hex	2	2
12	B1345603	Bracket, Sec. Limit	1	1
13	B1215202	Limit Control, Secondary, Manual Reset, Opening Temperature 220 - 5°F., 24 V.A.C., 30 V.A. Max-Load	1	1
14	C6285805	Bottom Transition Tube	1	1
15	A3435301	Gasket	2	2
16	M0270505	Washer, Flat	6	6
17	M0258018	Screw, #10-24 x 5/8"	3	3
18	C6253002	Valve, Gas, Redundant - 3/4" NPT Outlet, 1/2" NPT Inlet	1	1
19	M0020205	Elbow, 90°	1	1
20	M0020002	Nipple, Long	1	1
21	C5991501	Base, Mixer	1	1
22	M0200304	Screw, #8-32 x 5/8"	4	4
23	D6918409	Plate, Orifice, 80 Nat.	-	1
23	D6918415	Plate, Orifice, 80 L.P.	-	1
23	D6918416	Plate, Orifice, 100 L.P.	-	1
23	D6918410	Plate, Orifice, 100 Nat.	-	1
23	D6918411	Plate, Orifice, 120 Nat.	-	1
23	D6918417	Plate, Orifice, 120 L.P.	-	1
23	D6918412	Plate, Orifice, 130 M. Nat.	1	-
23	D6918418	Plate, Orifice, 130 M. L.P.	1	-
23	D6918413	Plate, Orifice, 150 M. Nat.	1	-
23	D6918419	Plate, Orifice, 150 M. L.P.	1	-
24	C5991601	Plate, Mixer	1	1
25	B1179301	Gasket, Mixer	1	1
26	D6926202	Combustion Blower	1	1
27	M0284102	Nut, Speed	1	1
28	M0288803	Palnut	4	4
30	D6826903	Pump/Motor Assy., 1/5 H.P., 3325 RPM, 115 VAC, 60 HZ, 1 Phase	1	1
31	B1197302	Bracket, Pump	1	1
32	A3372101	Gasket, Scroll	1	1
33	M0020021	Nipple	1	1
34	M0282013	Keps Nut	2	2
35	M0211016	Screw, #8-18 x 3/8"	1	1
36	M0213203	Screw, #8-18 x 3/8"	6	6
*37	M0120404	Clamp, Hose	2	2
38	M0103005	Clamp, Hose, Top of Tank	3	3
39	B1372001	Hose, Pump, Inlet	1	1
40	A3326003	Hose, Clamp	1	1
41	B1328402	Hose, Pump, Discharge	1	1
42	B1328802	Hose, Module, Outlet	1	1
43	C6368602	Ignition, Wiring Harness	1	1
*50	B1392301	Charging Tee	1	1
54	B1331302	Tube	1	1
55	M0216529	Screw, #8-18 x 3/8"	2	2
56	B1371901	Hose, Solution	1	1
58	B1331402	Tee-Expansion Tank	1	1
59	M0120403	Hose Clamp	6	6
60	B1170903	Limit Control, Cut-Out Temp. 226°F. + 5°, -15°	1	1
62	C6302401	Silencer Bracket	1	1
64	C6284401	Pad, Silencer	1	1
65	B1367801	"O" Ring Seal, Flue Cap	1	1
66	M0750002	Plug, Pipe	1	1
68	R0195013	Thermal Mastic	AR	AR
*69	B1392401	Charging Hose	1	1
*70	M0022901	Charging Hose Adapter	1	1
*71	M0327001	Cap, Charging Hose	1	1
*72	M0274054	Seal, Washer	1	1

