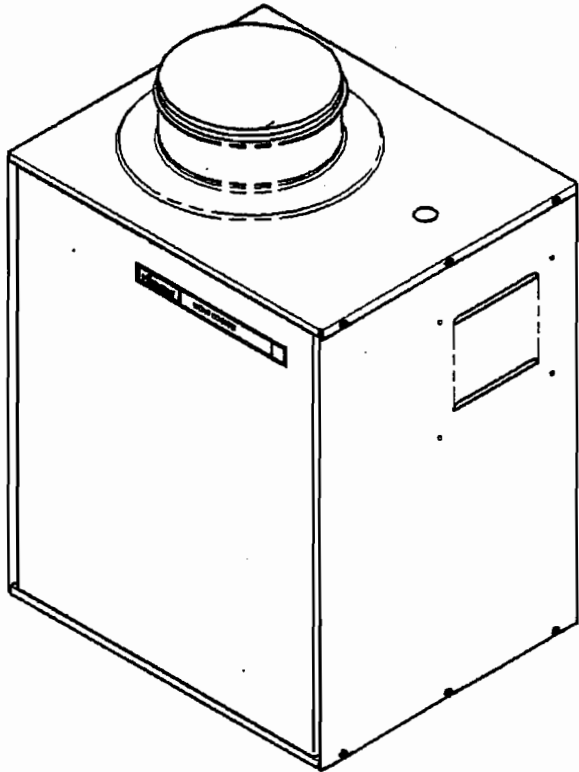


Amana

A **Raytheon** Company



**ERGW
(OUTDOOR UNIT)**

PARTS CATALOG

AMANA REFRIGERATION, INC., AMANA, IOWA 52204

**MANUFACTURING NUMBERS
COVERED IN THIS MANUAL**

ERGW0017BP P9917001F
ERGW00171B P1125403F

INDEX

FUNCTIONAL PARTS LIST	3
ILLUSTRATIONS AND PARTS LIST	4 - 11

REV. 1 - TO CORRECT MANUAL.

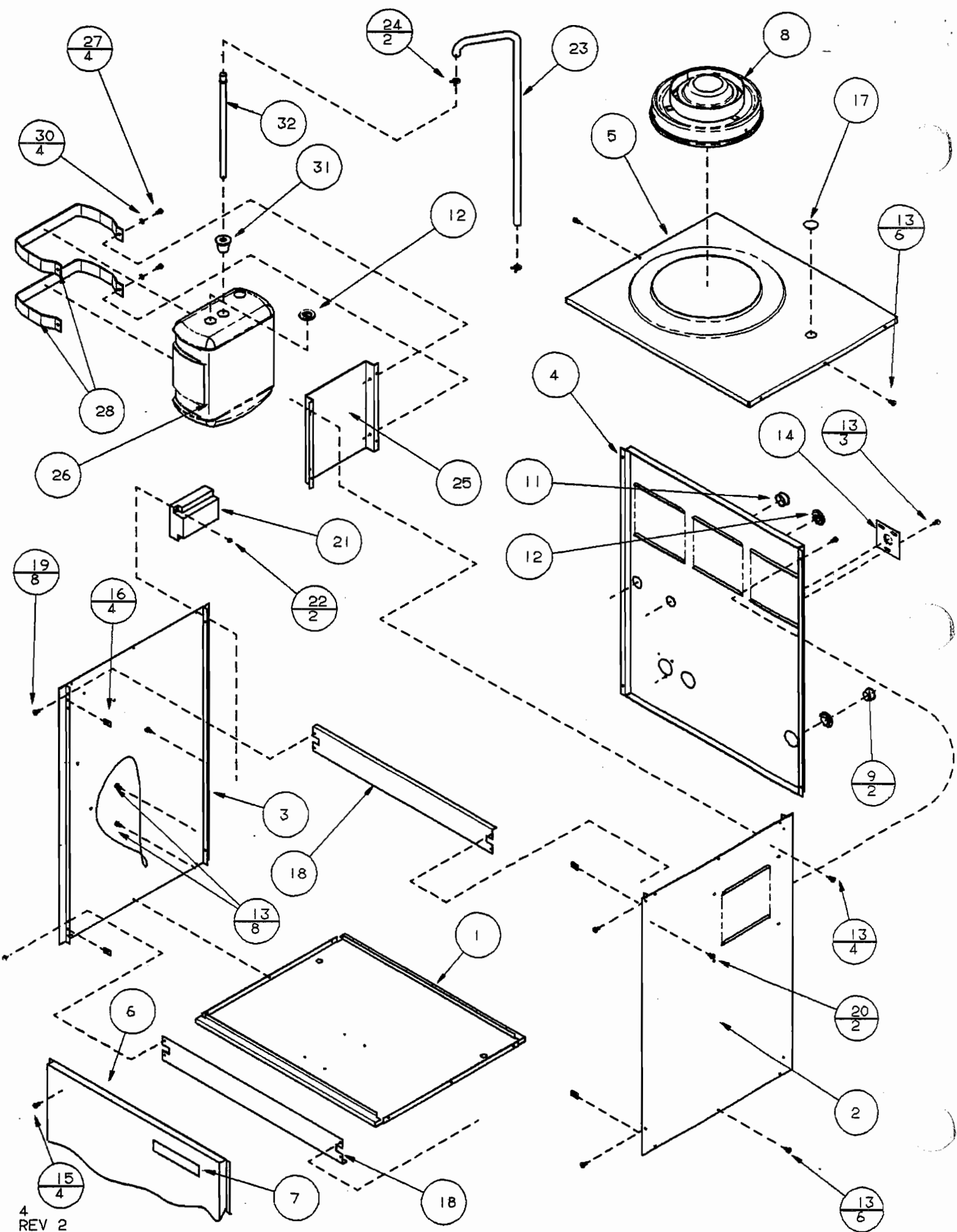
REV. 2 - ADDED MODEL ERGW00171B, P1125043W.

*NEW PARTS USED
AR - AS REQUIRED
NS - NOT SHOWN

FUNCTIONAL PARTS LIST

ERGW00171B P1125403F
ERGW0017BP P9917001F

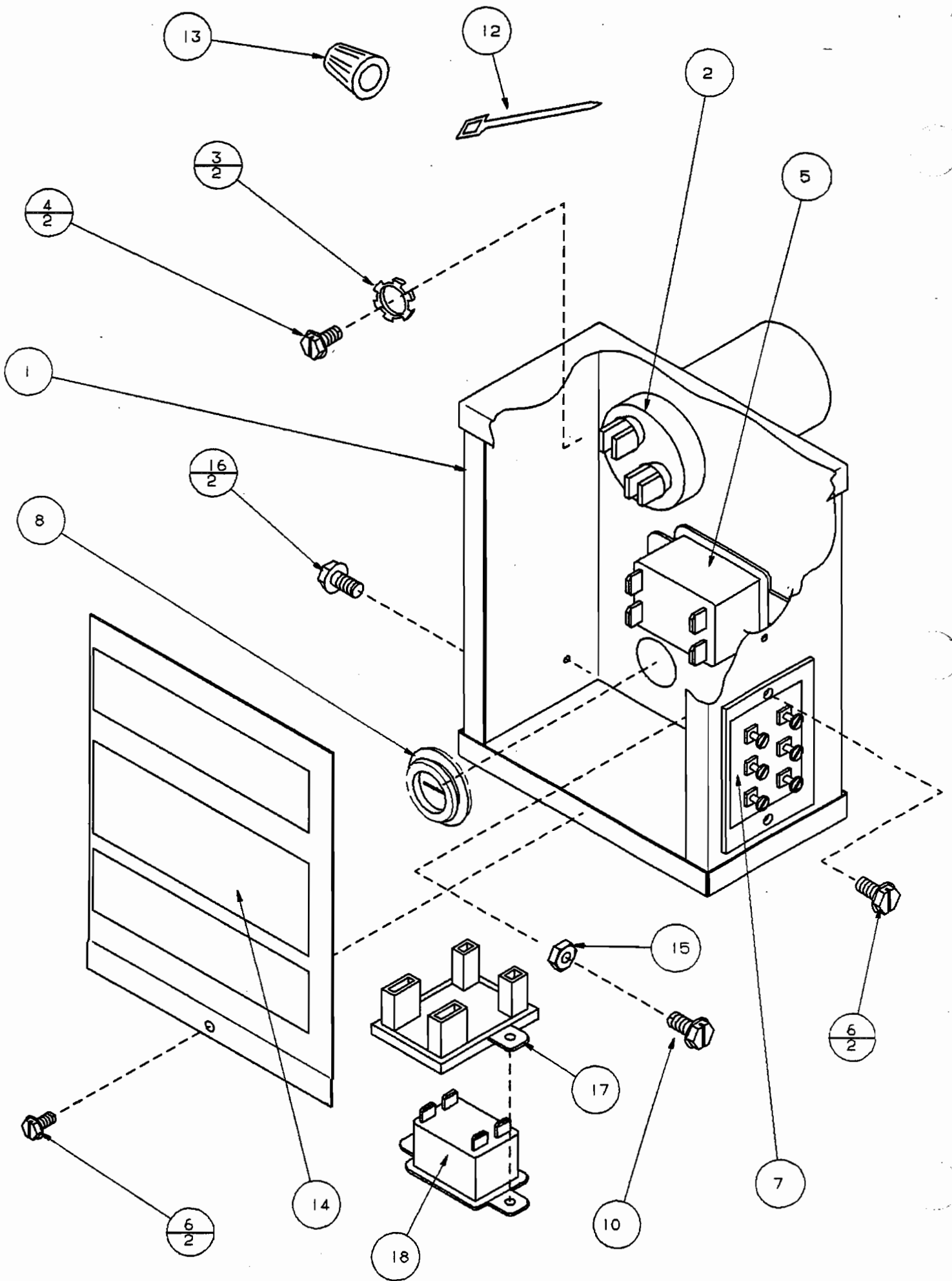
PART NUMBER	DESCRIPTION	1	1
B1371901	Hose, Suction, Inlet Pipe to Tee	1	1
B1372001	Hose, Suction, Pump to Tee	1	1
B1328402	Hose, Pump Discharge	1	1
C6293801	Hose, Tee to Exp. Tank	1	1
B1170903	Limit Control, Min. Diff. 30°F., Max. Diff. 100°F., Cut-Out Temp. 226°F. + 5°, -15°	1	1
B1215202	Limit Control, Secondary, Manual Reset, Opening Temperature 220° - 5°F., 24 V.A.C., 30 VA, Max. Load	1	1
C6368601	Wiring Harness, Ignition	1	-
*10287501	Wiring Harness, Ignition	-	1
D6817601	Flue Cap	1	1
D6830401	Ignition Control Module	1	-
*10228901	Ignition Control Module	-	1
D6918413	Plate, Orifice (150 M. Nat.)	1	1
D6918419	Plate, Orifice (150 M. L.P.)	1	1
D6918412	Plate, Orifice (130 M. Nat.)	1	1
D6918418	Plate, Orifice (130 M. L.P.)	1	1
D6918414	Plate, Orifice (170 M. Nat.)	1	1
D6918420	Plate, Orifice (170 M. L.P.)	1	1
*C6275323	Heat Transfer Module	1	1
A3464101	Gasket, Ignitor	1	1
C6401502	Burner	1	1
C6402212	Top, Transition Tube	1	1
B1336102	Ignitor	1	1
A3463901	Gasket, Burner	1	1
B1172702	Relay, SPDT - FLA 8, 240 V.A.C., Coil	1	1
C6434701	Terminal Board	1	1
D6789004	Capacitor, 15.0 MFD, 370 V., 60 HZ	1	1
A3463901	Gasket, Transition	1	1
B1179301	Gasket, Mixer	1	1
C6285816	Bottom, Transition Tube	1	1
C5991501	Base, Mixer	1	1
R0195013	Thermal Mastic	AR	AR
C5991601	Plate, Mixer	1	1
C6376501	Gas Valve	1	-
10287601	Gas Valve	-	1
D6926210	Combustion Blower	1	1
D6826909	Pump/Motor Assembly, 1/5 H.P., 3325 RPM, 115 VAC, 60 HZ, 1 Phase	1	1
B1413101	Hose, Module Outlet	1	1
D6974201	Tank, Expansion	1	1
C6431501	Gasket, Fan Scroll	1	1
B1354904	Hose, By-Pass	1	1
C6293801	Hose, Tee to Expansion Tank	1	1
C6437701	Solution Control	1	1
C6365101	By-Pass Valve	1	1
*C6438401	Thermostat, By-Pass Valve with Gasket	1	1
*C6438402	Gasket, By-Pass Valve Thermostat	1	1
*B1358801	Transformer, 120/24 V. - 40 VA (Optional)	AR	AR
C6377302A	Propylene Glycol (Carton Contains 6 - 1 Gallon Containers)	AR	AR
C6358302A	Ethylene Glycol (Carton Contains 6 - 1 Gallon Containers)	AR	AR
B1217301	Add-On Relay, Required when EBWC Air/Heating Units Used	AR	AR
*B1395601	Wire Bail, Relay Retainer Mounting	AR	AR
*D9917101	HXS-2 Spirec Heat Exchanger (Sales Item)	AR	AR
*D9917102	HXS-3 Spirec Heat Exchanger (Sales Item)	AR	AR
*D9917103	HXS-4 Spirec Heat Exchanger (Sales Item)	AR	AR
A3470606	Manual, Installation	-	1
A3470601	Manual, Installation	1	-
A3470701	Manual, Homeowner	1	-
A3481703	Manual, User	-	1



PARTS LIST

ERGW00171B P1125403F
ERGW0017BP P9917001F

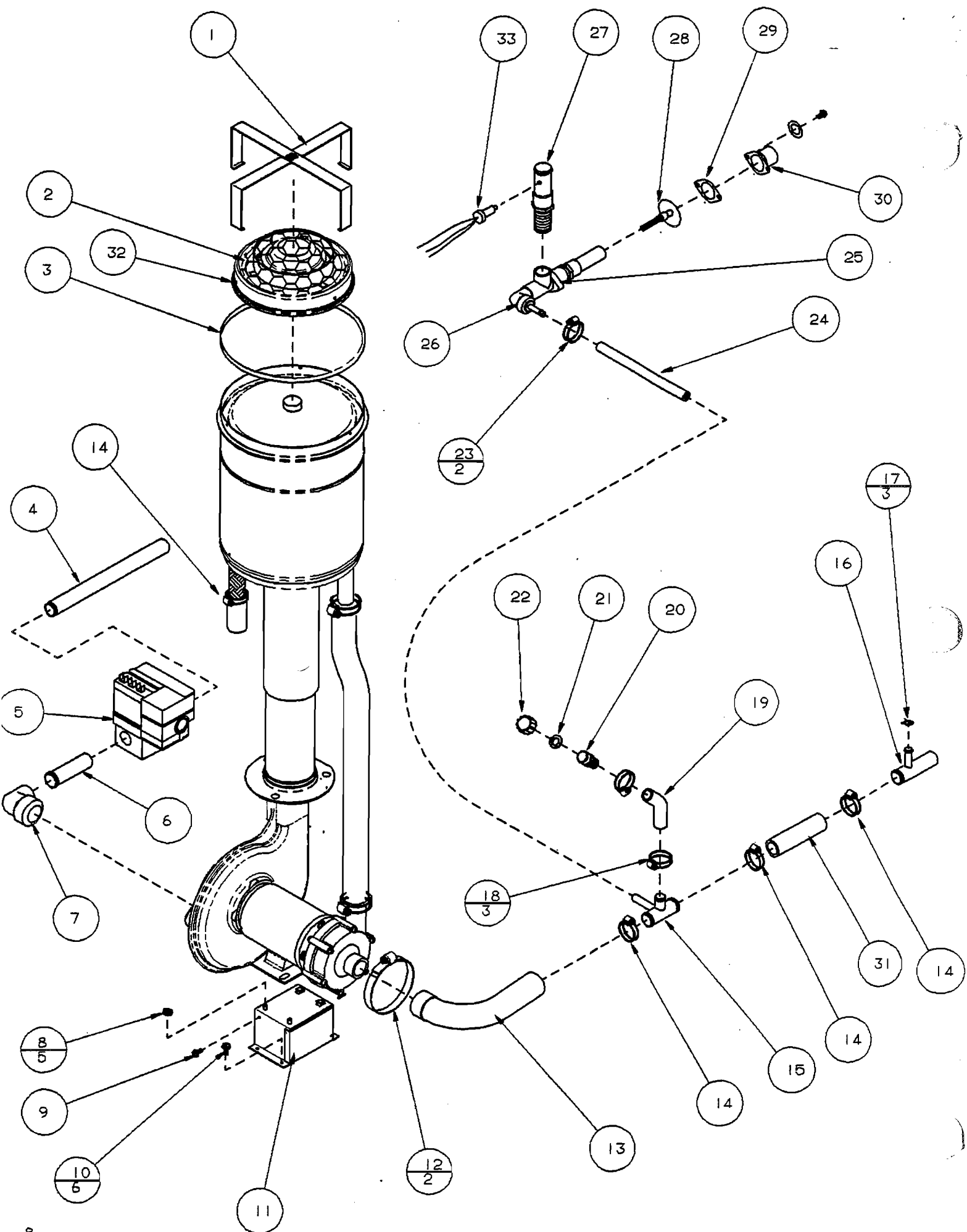
REF. NO.	PART NUMBER	DESCRIPTION		
1	C6274802	Cabinet, Bottom	1	1
2	D6892402	Panel, Right Side	1	1
3	D6892502	Panel, Left Side	1	-
*3	10287702	Panel, Left Side	-	1
4	D6823202	Panel, Rear	1	1
5	D6823102	Cabinet, Top	1	1
*6	D6822703	Cabinet, Door	1	1
*7	B1413201	Nameplate, Amana	1	1
8	D6817601	Flue Cap	1	1
9	M0500109	Grommet	2	2
11	A4554802	Snap Bushing	1	1
12	A3326801	Grommet	2	2
13	M0213203	Screw, #8-18 x 3/8"	27	27
14	A3421202	Plate, Cover	1	1
15	M0216721	Screw, #8-18 x 1"	4	4
16	M0287211	Nut, Speed	4	4
17	M0310313	Plug Button	1	1
18	C6328002	Support, Brace	2	2
19	M0210217	Screw	8	8
20	M0202535	Screw, #8-32 x 1"	2	2
21	D6830401	Ignition Control Module	1	-
*21	10228901	Ignition Control Module	-	1
22	M0282007	Nut, Keys	2	2
23	C6293801	Tube, Expansion Tank to Tee	1	1
24	M0103005	Clamp, Hose	2	2
25	B1187202	Spacer, Tank	1	1
26	D6974201	Tank, Expansion	1	1
27	M0211021	Screw, #8-18 x 1"	4	4
28	A3335502	Strap, Tank Mounting	2	2
30	M0270505	Washer	4	4
*31	M0327101	Plug, Tube	1	1
32	A3350906	Tube, Expansion Tube	1	1



PARTS LIST

ERGW00171B P1125403F
ERGW0017BP P9917001F

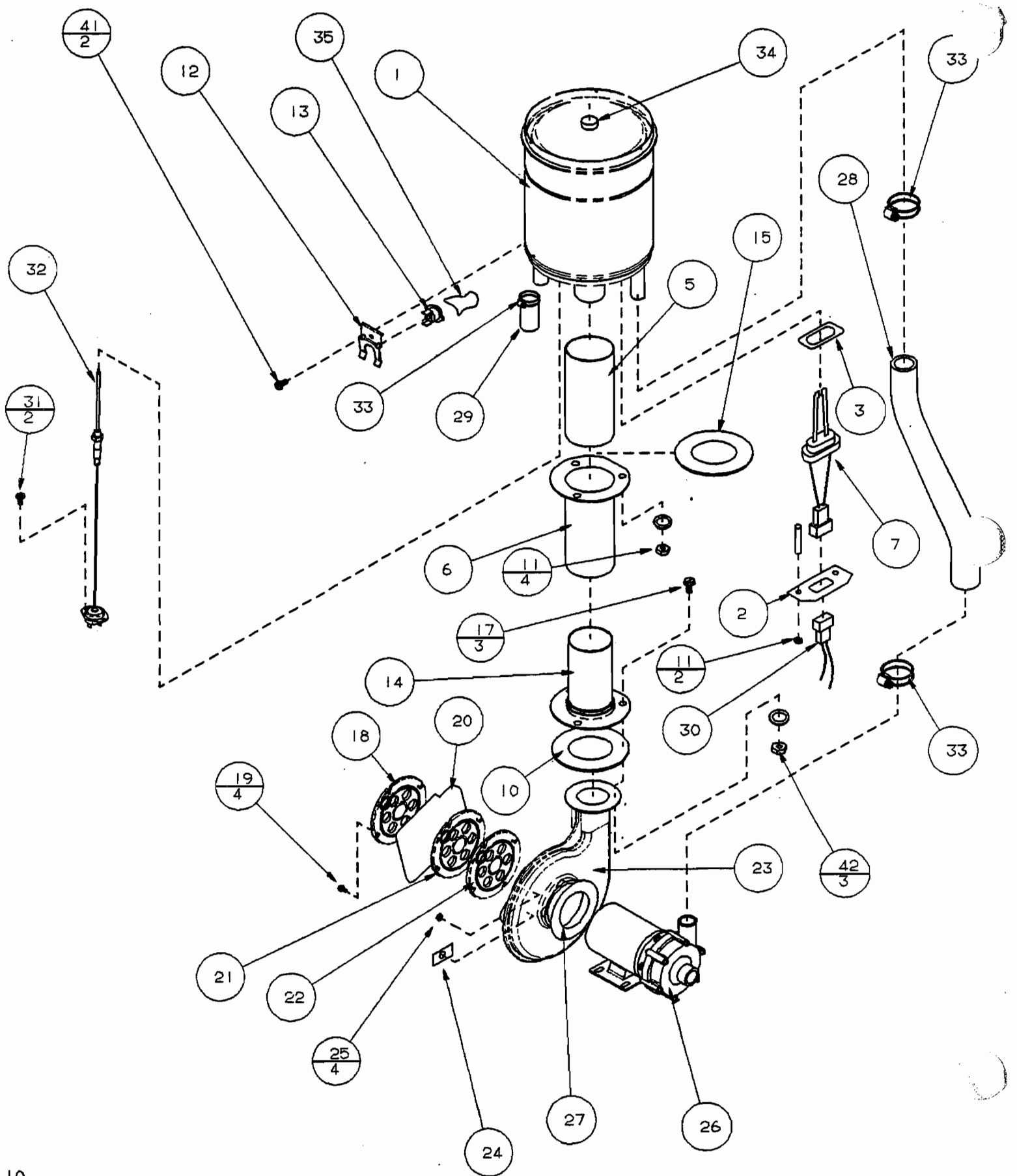
REF. NO.	PART NUMBER	DESCRIPTION	1	1
*1	D6823708	Control Box	1	1
2	D6789004	Capacitor, 15.0 MFD, 370 V., 60 HZ	1	1
3	M0272808	Washer, Lock	2	2
4	M0216531	Screw, #8-18 x 5/8"	2	2
5	B1172702	Relay, Pump	1	1
6	M0216529	Screw, #8-18 x 3/8"	4	4
7	C6434701	Terminal Board	1	1
8	A4554802	Snap Bushing	1	1
10	M0227804	Screw, #10-24 x 1/2"	1	1
12	M0321204	Tie, Electrical	1	1
13	A4617504	Wire Nut	1	1
*14	B1328904	Cover Control Box	1	1
15	M0270001	Washer, Cup	1	1
16	M0231903	Screw, Control Box to Side Panel	2	2
17	C9463201	Receptacle, Relay	1	1
18	C6329501	Relay Assembly (<i>NOTE: Required only when using EBWC6017 Indoor Unit</i>)	1	1



PARTS LIST

ERGW00171B P1125403F
ERGW0017BP P9917001F

REF. NO.	PART NUMBER	DESCRIPTION	1	1
1	C6302401	Silencer Bracket	1	1
2	C6284402	Pad, Silencer	1	1
3	B1420701	"O" Ring Seal, Flue Cap	1	1
4	M0020002	Nipple	1	1
5	C6376501	Valve, Gas	1	-
5	10287601	Valve, Gas	-	1
6	M0020025	Nipple	1	1
7	M0020205	Elbow, 90°	1	1
8	M0282013	Keps Nut	5	5
9	M0211016	Screw, #8-18 x 3/8"	1	1
10	M0213203	Screw, #8-18 x 3/8"	6	6
11	B1197302	Bracket, Pump	1	1
*12	M0120404	Hose, Clamp	2	2
13	B1372001	Hose, Pump, Inlet	1	1
14	M0120403	Hose, Clamp	4	4
*15	B1380101	Charging Tee	1	1
16	B1331402	Tee - Expansion Tank	1	1
17	M0103005	Clamp, Hose, Top of Tank	3	3
18	M0120404	Clamp, Hose	3	3
19	B1392401	Charging Hose	1	1
20	M0022901	Charging Hose Adapter	1	1
21	M0274054	Seal, Washer	1	1
22	M0327001	Cap, Charging Hose	1	1
23	M0103001	Clamp, Hose	2	2
24	B1354904	Hose, By-Pass	1	1
25	C6365101	By-Pass Valve, Complete with Thermostat and Gasket	1	1
26	B1380901	By-Pass Tube	1	1
*27	B1380803	Inlet Tube, By-Pass Valve	1	1
*28	C6438401	Thermostat By-Pass Valve with Gasket	1	1
*29	C6438402	Gasket, By-Pass Valve Thermostat	1	1
30	B1380801	Outlet Tube, By-Pass Valve	1	1
31	B1371901	Hose, Solution	1	1
32	B1376001	Silencer Pad Retainer	1	1
33	C6437701	Solution Control	1	1
NS	C6377302	Propolyene Glycol (Carton Contains 6 - 1 Gallon Containers)	1	1
NS	R0157484	Optional Field Installed, Initial Charging Service Tee	1	1



PARTS LIST

ERGW00171B P1125403F
ERGW0017BP P9917001F

REF. NO.	PART NUMBER	DESCRIPTION		
*1	C6275323	Heat Transfer Module	1	1
2	B1400901	Mounting Plate	1	1
3	A3464101	Gasket, Igniter	1	1
5	C6401501	Burner	1	1
6	C6402212	Top, Transition	1	1
7	B1336102	Ignitor Assembly	1	1
10	A3463901	Gasket, Burner	1	1
11	M0282405	Nut, Hex	6	6
12	B1399201	Bracket, Secondary Limit	1	1
13	B1215202	Limit Control, Secondary, Manual Reset, Opening Temperature 220°	1	1
14	C6285816	Bottom Transition Tube	1	1
15	A3463901	Gasket	2	2
17	M0258044	Screw, #10-24 x 5/8"	3	3
18	C5991501	Base, Mixer	1	1
19	M0200304	Screw, #8-32 x 5/8"	4	4
20	D6918413	Plate, Orifice, 150 M. Nat.	1	1
20	D6918419	Plate, Orifice, 150 M. L.P.	1	1
20	D6918412	Plate, Orifice, 130 M. Nat.	1	1
20	D6918418	Plate, Orifice, 130 M. L.P.	1	1
20	D6918414	Plate, Orifice, 170 M. Nat.	1	1
20	D6918420	Plate, Orifice, 170 M. L.P.	1	1
21	C5991601	Plate, Mixer	1	1
22	B1179301	Gasket, Mixer	1	1
23	D6926210	Combustion Blower	1	1
24	M0284102	Nut, Speed	1	1
25	M0288803	Palnut	4	4
26	D6826909	Pump, Motor Assembly, 1/5 H.P., 3325 RPM, 115 VAC, 60 HZ, 1 Phase	1	1
27	C6431501	Gasket, Scroll	1	1
28	B1328402	Hose, Pump, Discharge	1	1
29	B1413101	Hose, Module, Outlet	1	1
30	C6368601	Ignition Wiring Harness	1	-
*30	10287501	Harness, Ignition Control	-	1
31	M0216529	Screw, #8-18 x 3/8"	2	2
32	B1170903	Limit Control, Solution, Cut-Out Temp. 226°F. ± 5°, -15°	1	1
33	M0120403	Hose Clamp	3	3
34	M0750002	Pipe, Plug	1	1
35	R0195013	Thermal Mastic	AR	AR
41	M0217824	Screw	2	2
*42	M0282013	Nut, Keps	3	3

